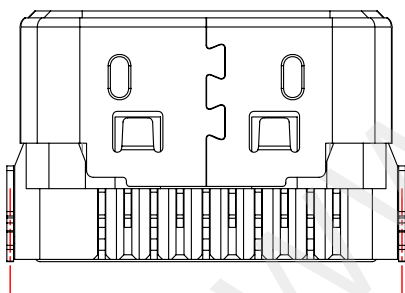


DIM CL
-1.2
-1.0
-0.5
0
0.5
1
1.2

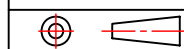


深圳市华宇创精密电子有限公司

TOLERANCE:

X.X ±0.30
X.XX ±0.25
X.XXX ±0.15

X' ±2' X.X' ±0.5'



UNIT: mm [inch]

SCALE:1:1 SIZE: A4

DRAWN BY :

陈一鸣

DATE :

2014-02-23

PART NAME:

VGA超薄短体 正向CH=-1.2~1.2

CHECKED BY:

马跃

DATE :

2014-02-23

PART NO.

HVC18-VGA15B-XXX

MOLD NO.

APPROVED BY:

邱国夷

DATE :

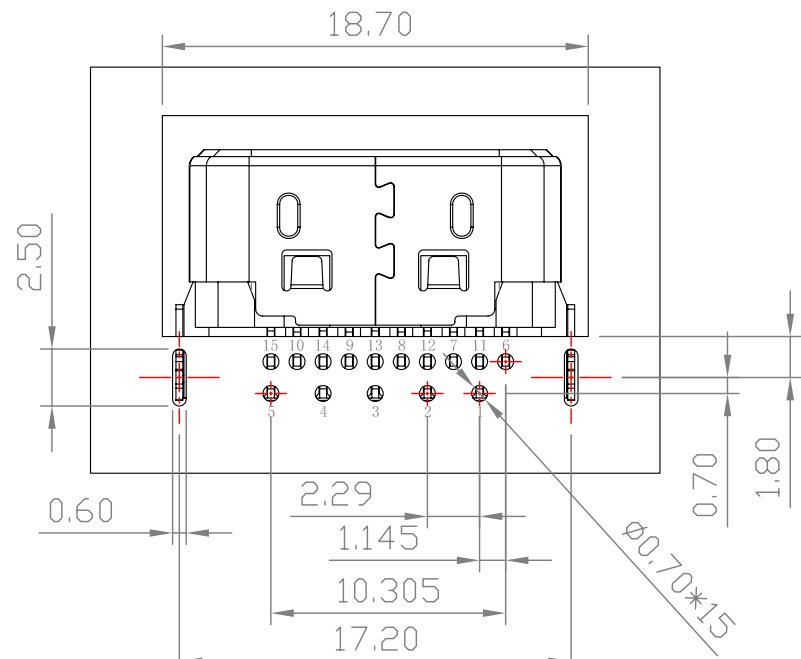
2014-02-23

DRAW NO:

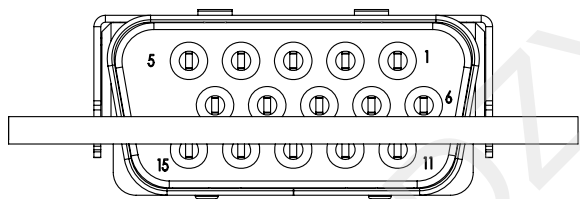
HVC-VGA16022610

SHEET NO.

1 OF 1



bottom view



front view

RECOMMENDED P.C.B LAYOUT (COMPONENT SIDE)
FOR P.C.B THICKNESS:1.20

特性:Specifications:

电器 Electrical:

接触阻抗:Contact Resistance
30 mΩ MAX

耐电压:Dielectric Withstanding Voltage:
500V AC AT sea Level

绝缘阻抗:Insulation Resistance:
1000 MΩ MIN

Working temperayure:-30° ~+85°

材料:Matorial:

塑胶: LCP

端子: Contact:C2680
Plated Gold in Mating Area;
Tin/Lead On Solder Talls

外壳:Shell: SPCC

寿命命测试: life test:

5000次, 插拔速度300次/小时

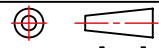
插入力MAX: 4.5Kgf

拔出力MIN: 0.45Kgf

盐雾测试: 24H



深圳市华宇创精密电子有限公司

TOLERANCE: X.X ±0.30 X.XX ±0.25 X.XXX ±0.15 X' ±2' X.X' ±0.5'	DRAWN BY : 陈一鸣	DATE : 2014-02-23	PART NAME: VGA超薄短体 正向CH=-1.2~1.2
	CHECKED BY: 马跃	DATE : 2014-02-23	PART NO. HVC18-VGA15B-XXX MOLD NO.
 UNIT: mm [inch] SCALE:1:1 SIZE: A4	APPROVED BY: 邱国夷	DATE : 2014-02-23	DRAW NO: HVC-VGA16022610 SHEET NO. 1 OF 1